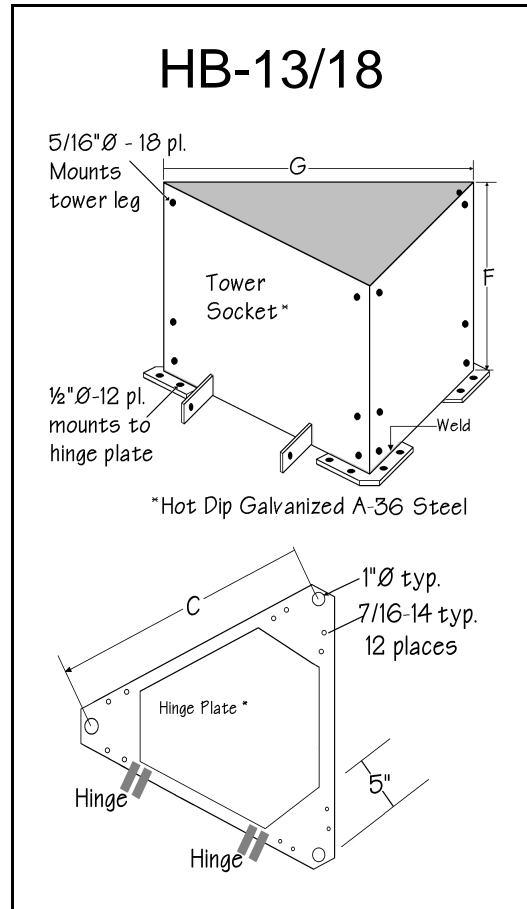
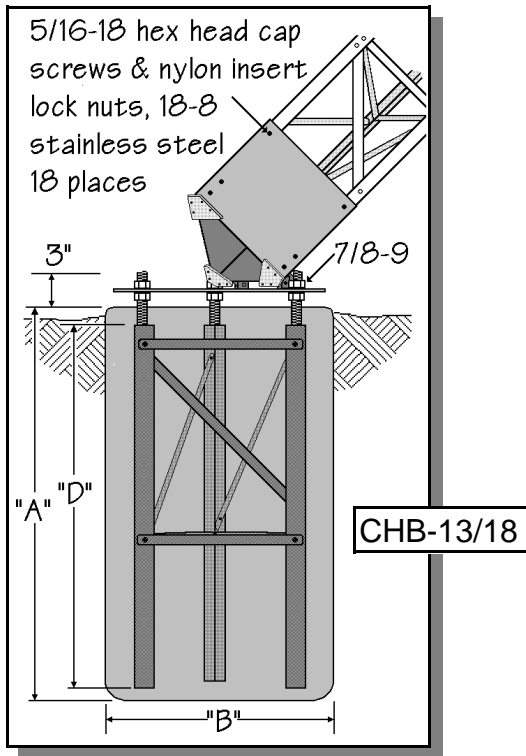
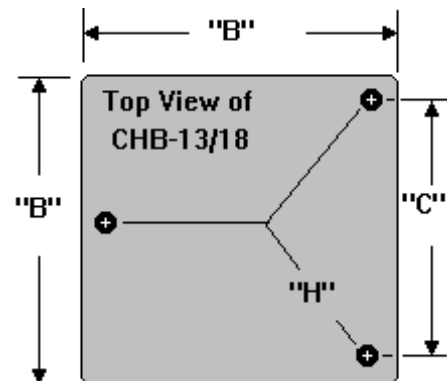


# HINGED BASE FOR M-13/18



DESIGN SPECIFICATIONS		
	CHB-13	CHB-18
"A" Concrete Depth	45"	48"
"B" Concrete width	36"	48"
"C" Footing Section	15.5"	20.75"
"D" Footing Height	36.5"	44.5"
"E" Leg Width	1.5"	1.5"
"F" Socket Height	8"	8"
"G" Socket Width	13.25"	18.25"
"H" Bolt Circle Radius	8.95"	11.98"



Notes:

- Concrete, 3000 psi minimum 28-day compressive strength.
- Threaded studs extend 3" above top surface of concrete.